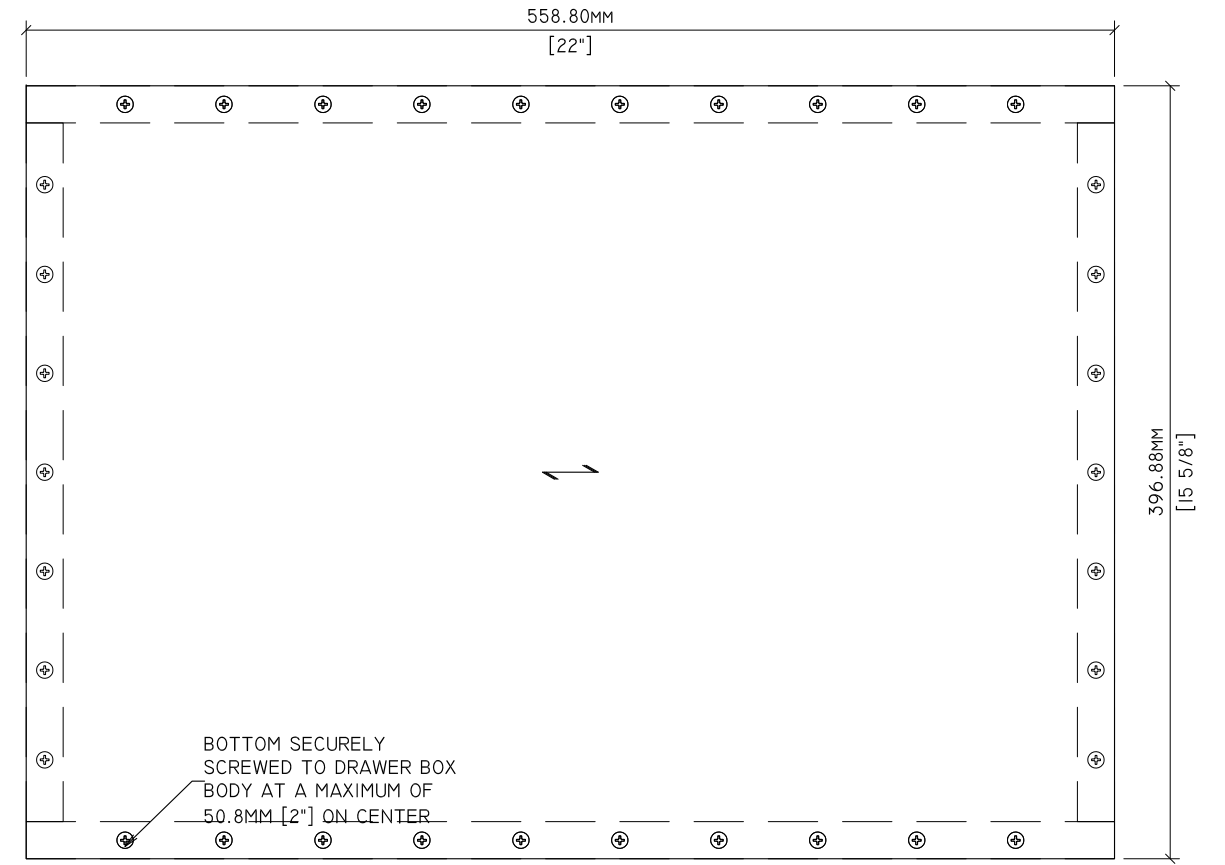
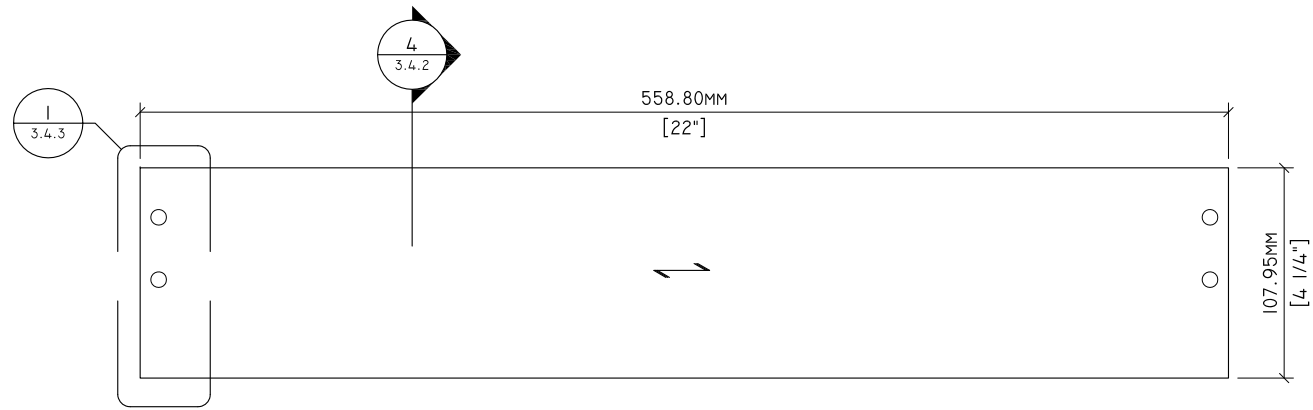


1
4.4.1 PLAN
3" = 1'-0"

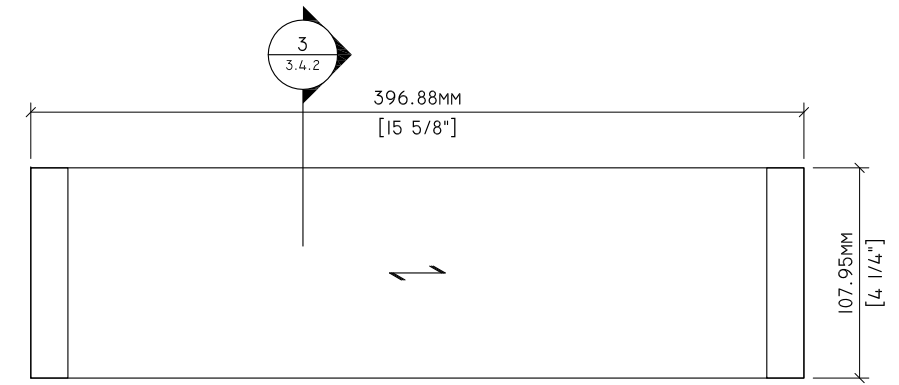


2
4.4.1 PLAN - BOTTOM
3" = 1'-0"

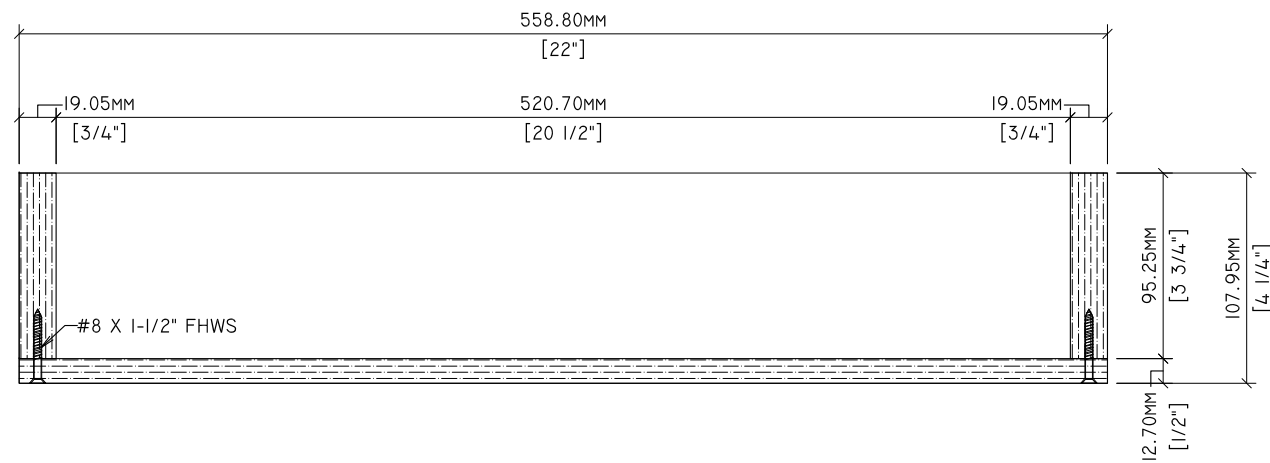
Drawn By:	HD	REVISIONS		SPECIMEN DWG. NO.: 4.4.1
Reviewed By:	-	①	-	JOINERY METHOD NO.: 8MM DOWEL
Revised By:	-HKM	②	-7/30/2020	SPECIMEN MATERIAL: 3/4" VENEER CORE
Revised By:	-	③	-	BATCH QUANTITY: N/A
Approved By:	-	④	-	SCALE: AS NOTED



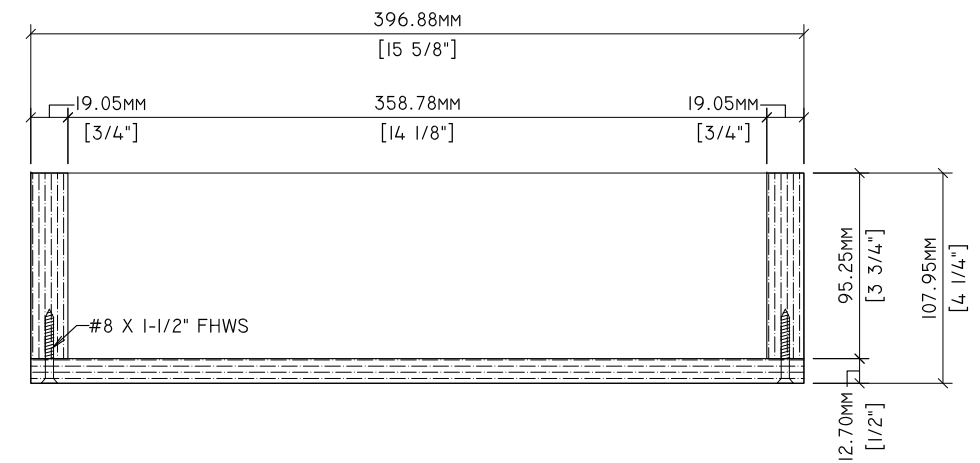
1
ELEVATION
4.4.2 3" = 1'-0"



2
ELEVATION
4.4.2 3" = 1'-0"

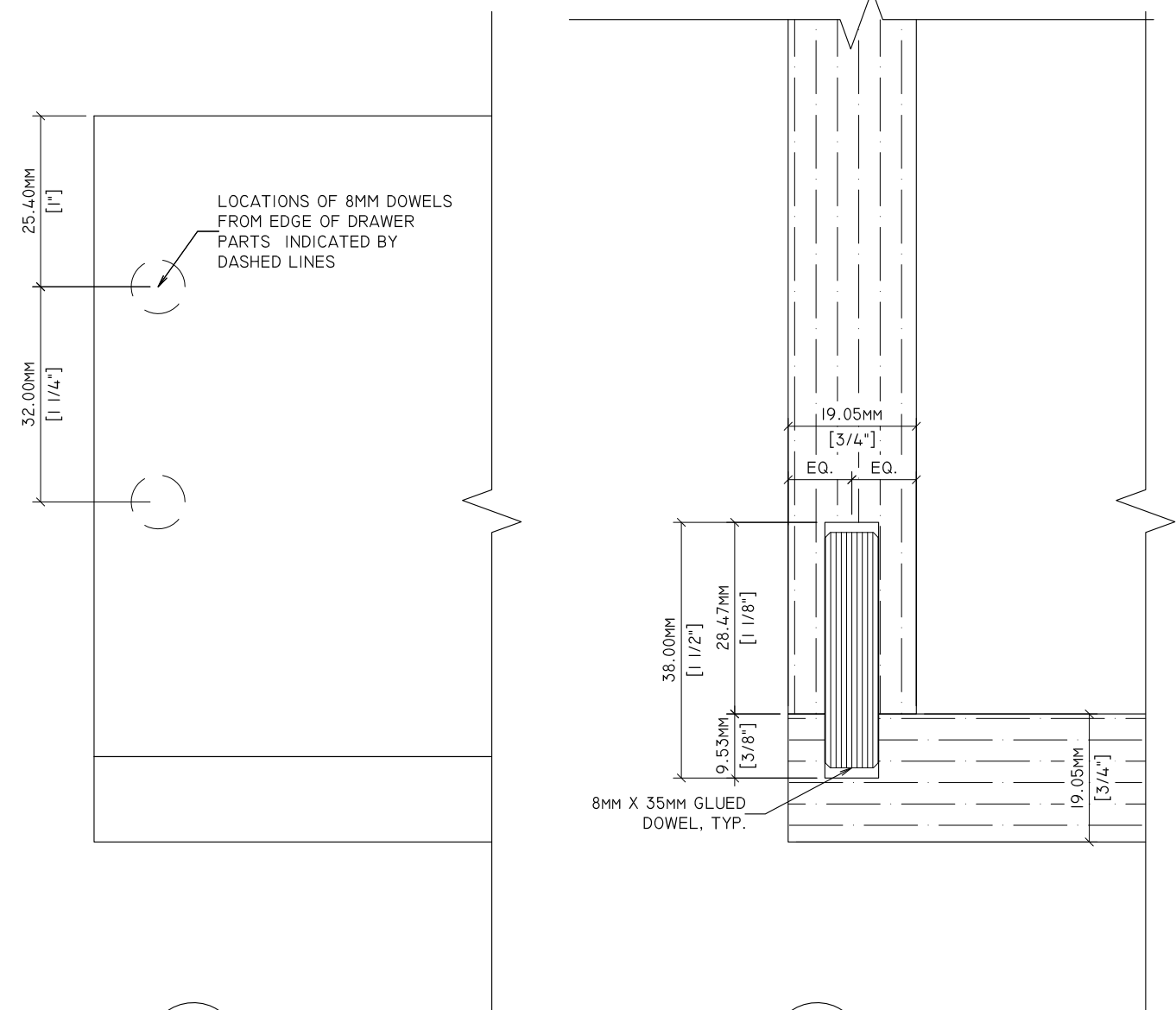


3
SECTION
4.4.2 3" = 1'-0"



4
SECTION
4.4.2 3" = 1'-0"

Drawn By:	HD	REVISIONS		SPECIMEN DWG. NO.: 4.4.2
Reviewed By:	-	①	-	JOINERY METHOD NO.: 8MM DOWEL
Revised By:	-HKM	②	-7/30/2020	SPECIMEN MATERIAL: 3/4" VENEER CORE
Revised By:	-	③	-	BATCH QUANTITY: N/A
Approved By:	-	④	-	SCALE: AS NOTED



1
4.4.3 12" = 1'-0"

2
4.4.3 12" = 1'-0"

Drawn By:	HD	REVISIONS		SPECIMEN DWG. NO.: 4.4.3
Reviewed By:	-	①	-	JOINERY METHOD NO.: 8MM DOWEL
Revised By:	-HKM	②	-7/30/2020	SPECIMEN MATERIAL: 3/4" VENEER CORE
Revised By:	-	③	-	BATCH QUANTITY: N/A
Approved By:	-	④	-	SCALE: AS NOTED