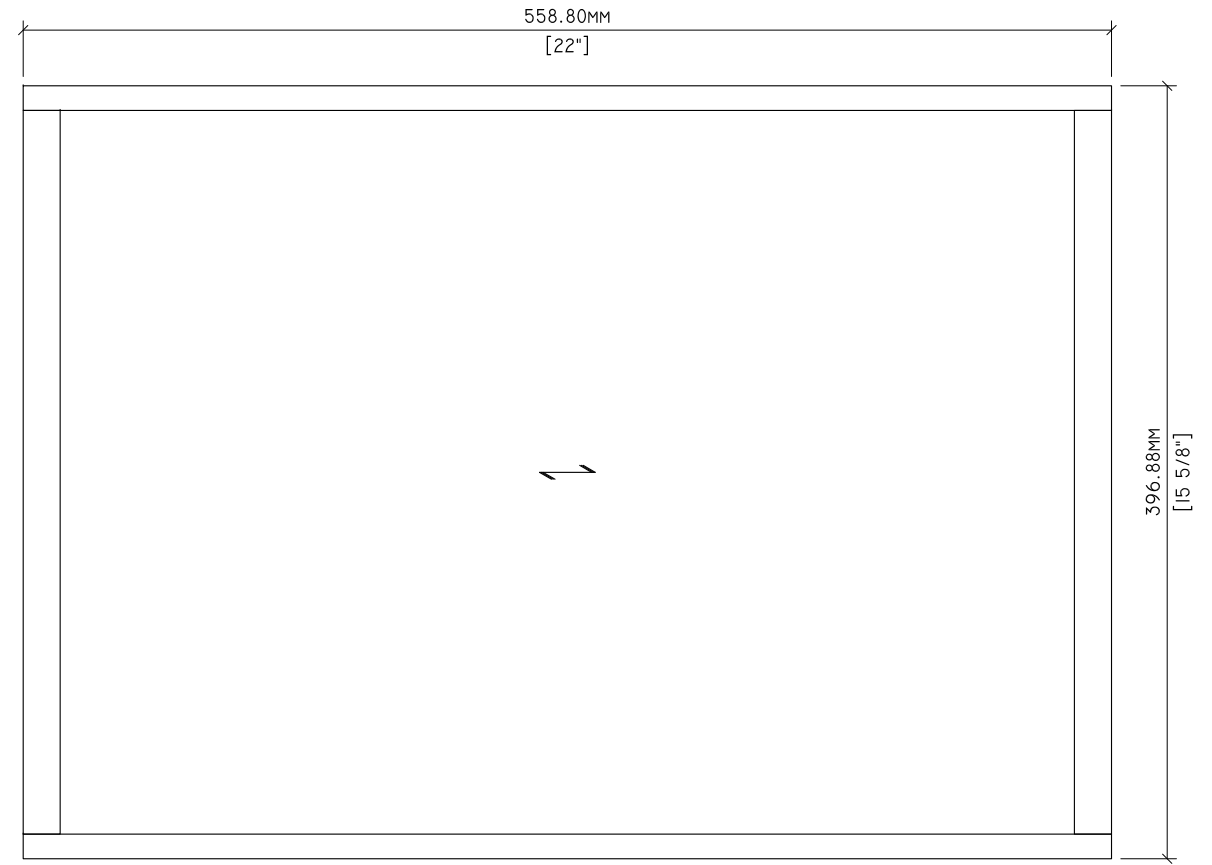
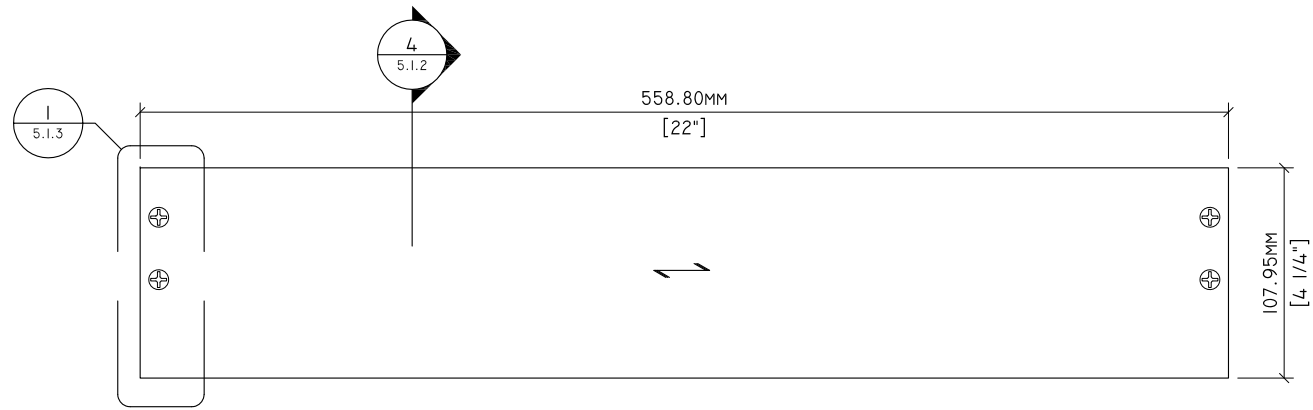


1
5.1.1 PLAN
3" = 1'-0"

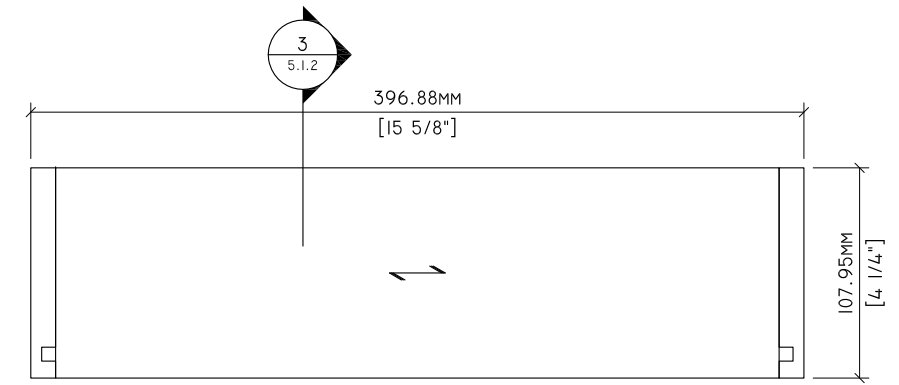


2
5.1.1 PLAN - BOTTOM
3" = 1'-0"

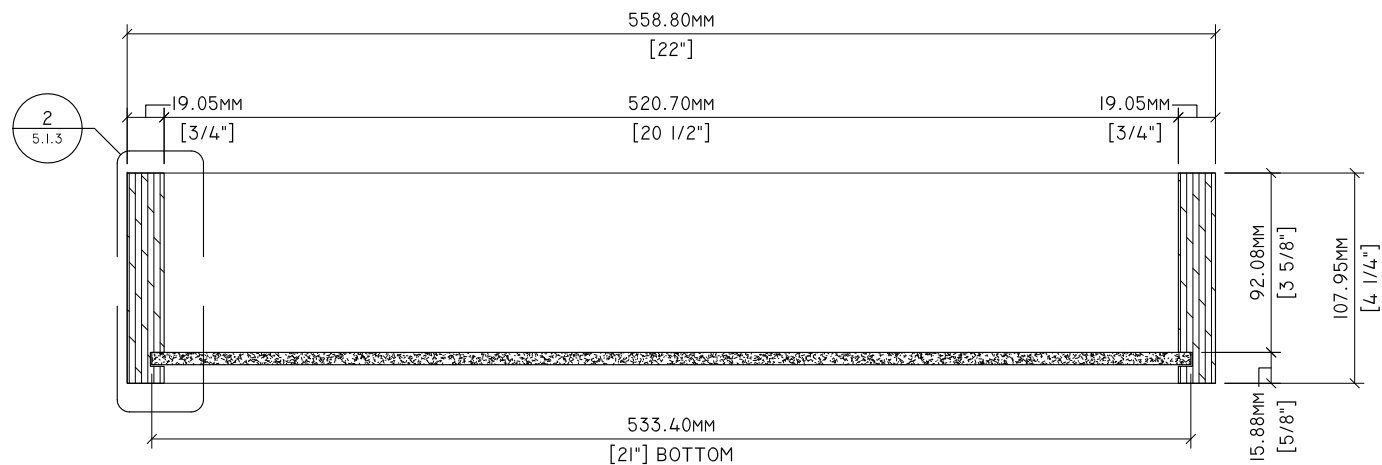
Drawn By:	HD	REVISIONS		SPECIMEN DWG. NO.: 5.1.1
Reviewed By:	-	①	-	JOINERY METHOD NO.: CONFIRMAT
Revised By:	-HKM	②	-7/30/2020	SPECIMEN MATERIAL: 3/4" & 1/2" M2 PARTICLE BOARD
Revised By:	-	③	-	BATCH QUANTITY: N/A
Approved By:	-	④	-	SCALE: AS NOTED



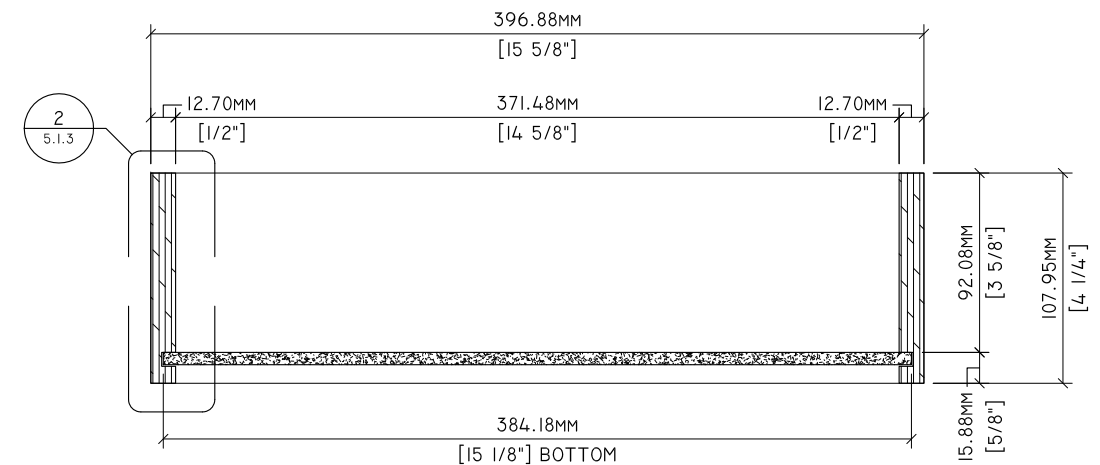
1 ELEVATION
5.1.2 3" = 1'-0"



2 ELEVATION
5.1.2 3" = 1'-0"

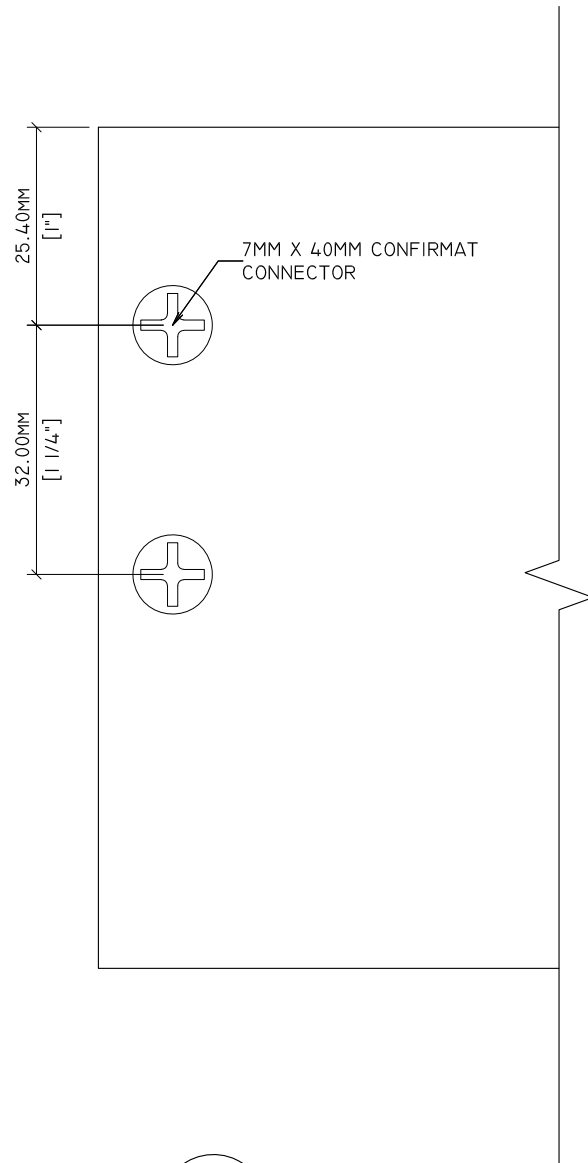


3 SECTION
5.1.2 3" = 1'-0"

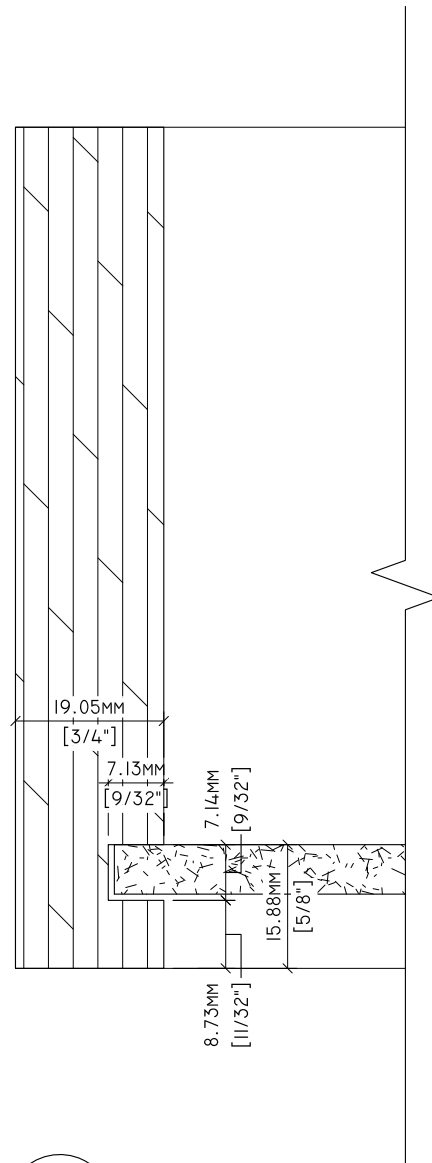


4 SECTION
5.1.2 3" = 1'-0"

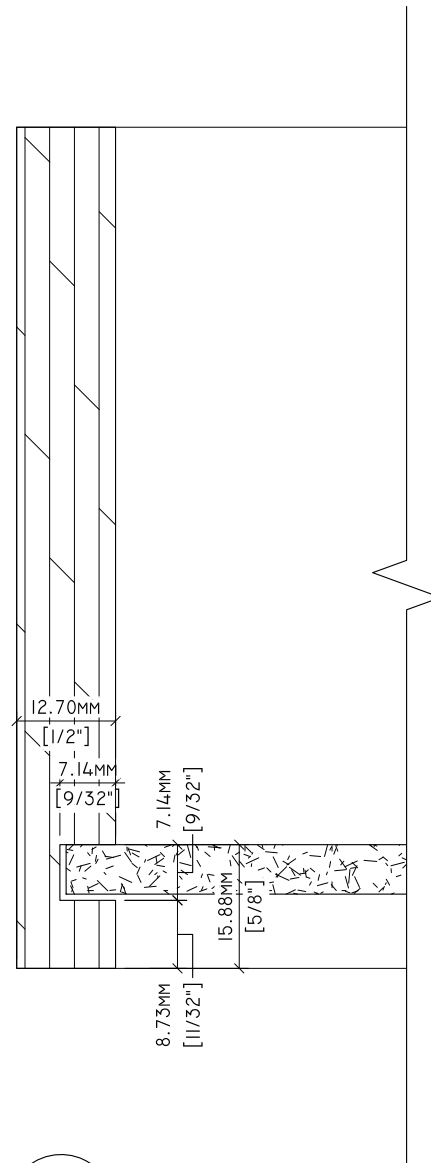
Drawn By:	HD	REVISIONS		SPECIMEN DWG. NO.: 5.1.2
Reviewed By:	-	①	-	JOINERY METHOD NO.: CONFIRMAT
Revised By:	-HKM	②	-7/30/2020	SPECIMEN MATERIAL: 3/4" & 1/2" M2 PARTICLE BOARD
Revised By:	-	③	-	BATCH QUANTITY: N/A
Approved By:	-	④	-	SCALE: AS NOTED



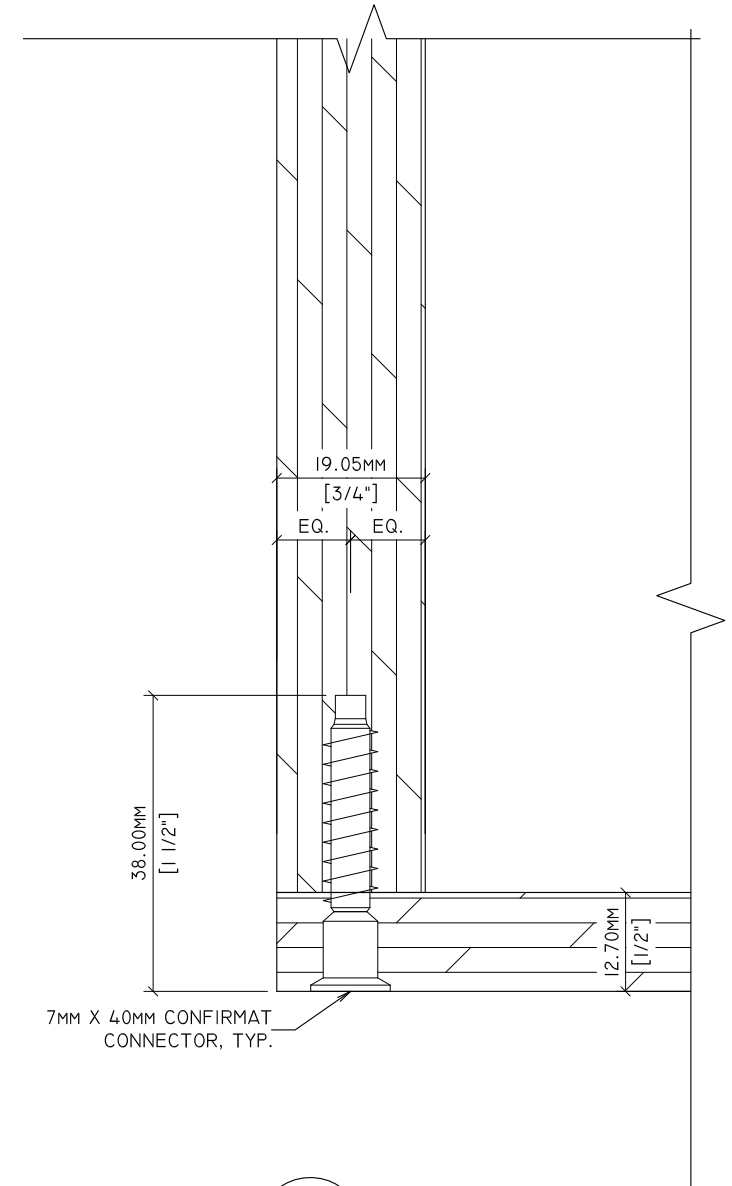
1
5.1.3 12" = 1'-0"



2
5.1.3 12" = 1'-0"



3
5.1.3 12" = 1'-0"



4
5.1.3 12" = 1'-0"

Drawn By:	HD	REVISIONS		SPECIMEN DWG. NO.: 5.1.3
Reviewed By:	-	①	-	JOINERY METHOD NO.: CONFIRMAT
Revised By:	-HKM	②	-7/30/2020	SPECIMEN MATERIAL: 3/4" & 1/2" M2 PARTICLE BOARD
Revised By:	-	③	-	BATCH QUANTITY: N/A
Approved By:	-	④	-	SCALE: AS NOTED