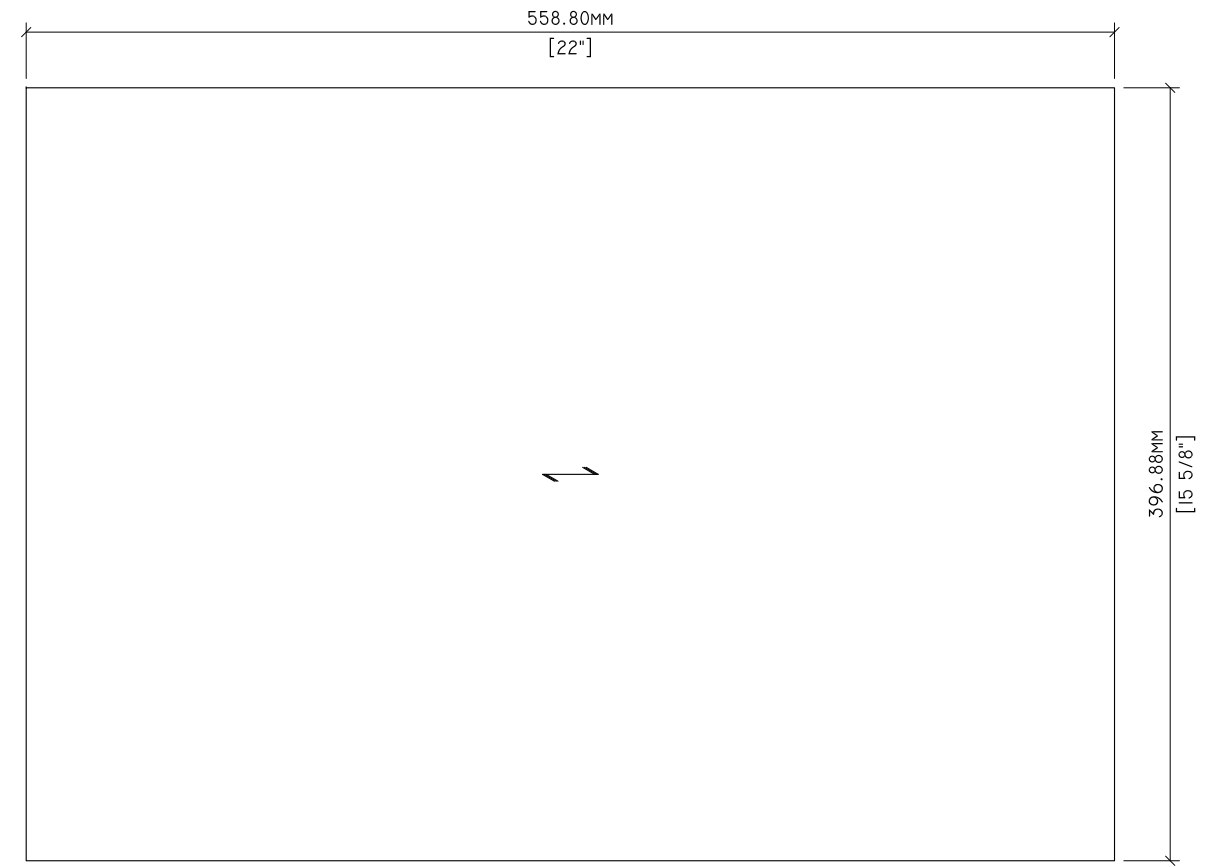
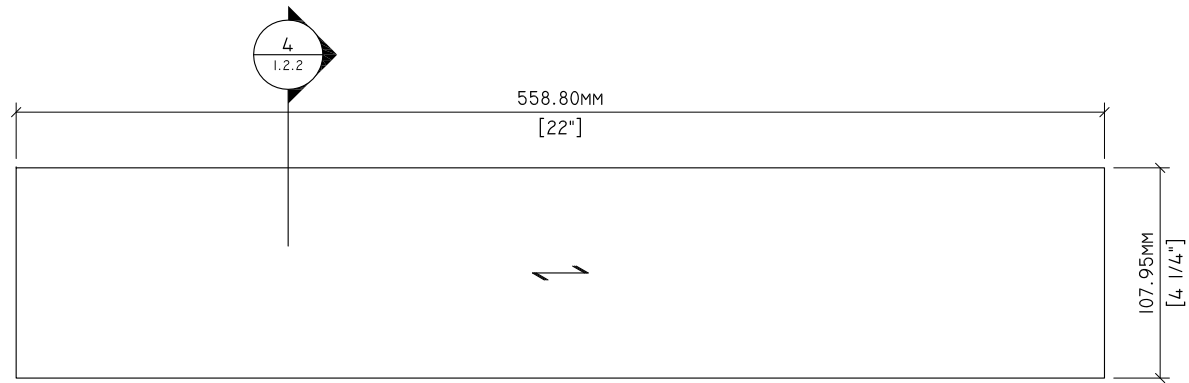


1  
1.2.1  
PLAN  
3" = 1'-0"

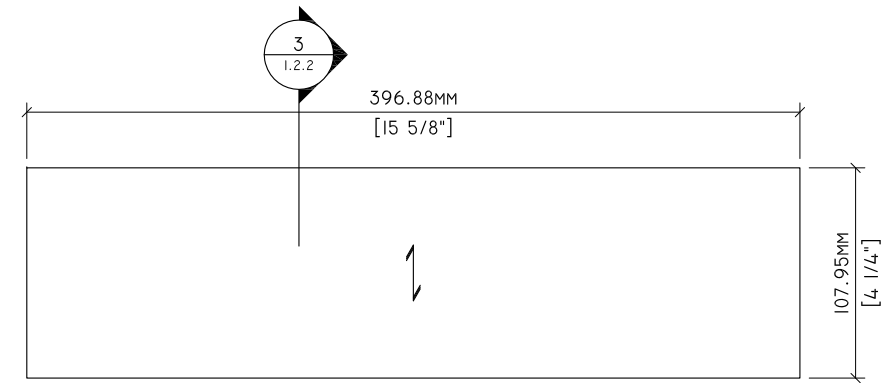


2  
1.2.1  
PLAN - BOTTOM  
3" = 1'-0"

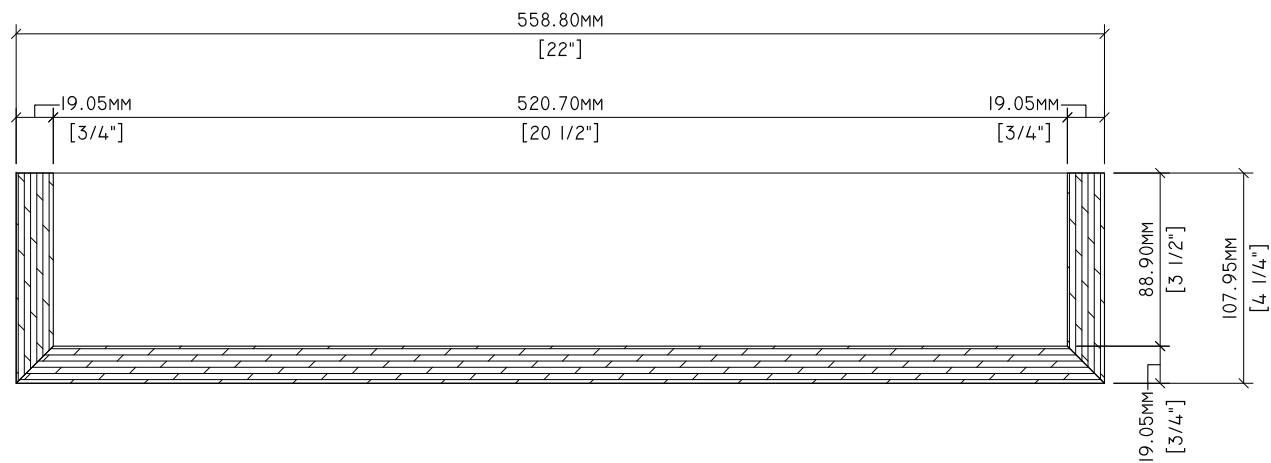
Drawn By:	HD	<b>REVISIONS</b>		SPECIMEN DWG. NO.: 1.2.1
Reviewed By:	-	①	-	JOINERY METHOD NO.: MITER FOLD
Revised By:	-HKM	②	-7/30/2020	SPECIMEN MATERIAL: 3/4" M2 PARTICLE BOARD
Revised By:	-	③	-	BATCH QUANTITY: N/A
Approved By:	-	④	-	SCALE: AS NOTED



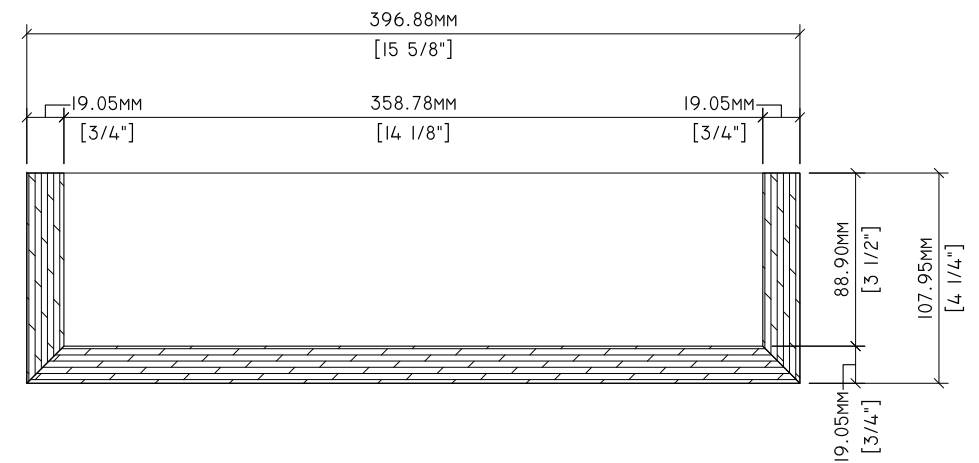
**1** ELEVATION  
1.2.2 3" = 1'-0"



**2** ELEVATION  
1.2.2 3" = 1'-0"



**3** SECTION  
1.2.2 3" = 1'-0"



**4** SECTION  
1.2.2 3" = 1'-0"

Drawn By:	HD	<b>REVISIONS</b>		SPECIMEN DWG. NO.: 1.2.2
Reviewed By:	-	①	-	JOINERY METHOD NO.: MITER FOLD
Revised By:	-HKM	②	-7/30/2020	SPECIMEN MATERIAL: 3/4" M2 PARTICLE BOARD
Revised By:	-	③	-	BATCH QUANTITY: N/A
Approved By:	-	④	-	SCALE: AS NOTED